



### LB-2.8-25-A Standard Gain Horn Antenna 260-400GHz 25dB Gain Rectangular Waveguide Interface

Standard Gain Horn Antenna Operating From 260GHz to 400GHz With a Nominal 25dB Gain With Rectangular Waveguide Interface

## Product Information

SKU	LB-2.8-25-A
-----	-------------

## Description

Standard Gain Horn Antenna LB-2.8-25-A, operating from 260 to 400GHz with a nominal 25dB gain and low VSWR 1.15:1 with APF2.8 output. The model LB-2.8-25-A has uniform gain through its frequency span, providing efficient performance characteristics and directionality. Constructed of lightweight corrosion-resistant aluminum, the antenna will provide years of trouble-free indoor and outdoor service. This standard gain horn antenna is linearly polarized and ideally suited for EMI testing, direction finding, surveillance, antenna gain and pattern measurements and other applications.

## Technical Specification

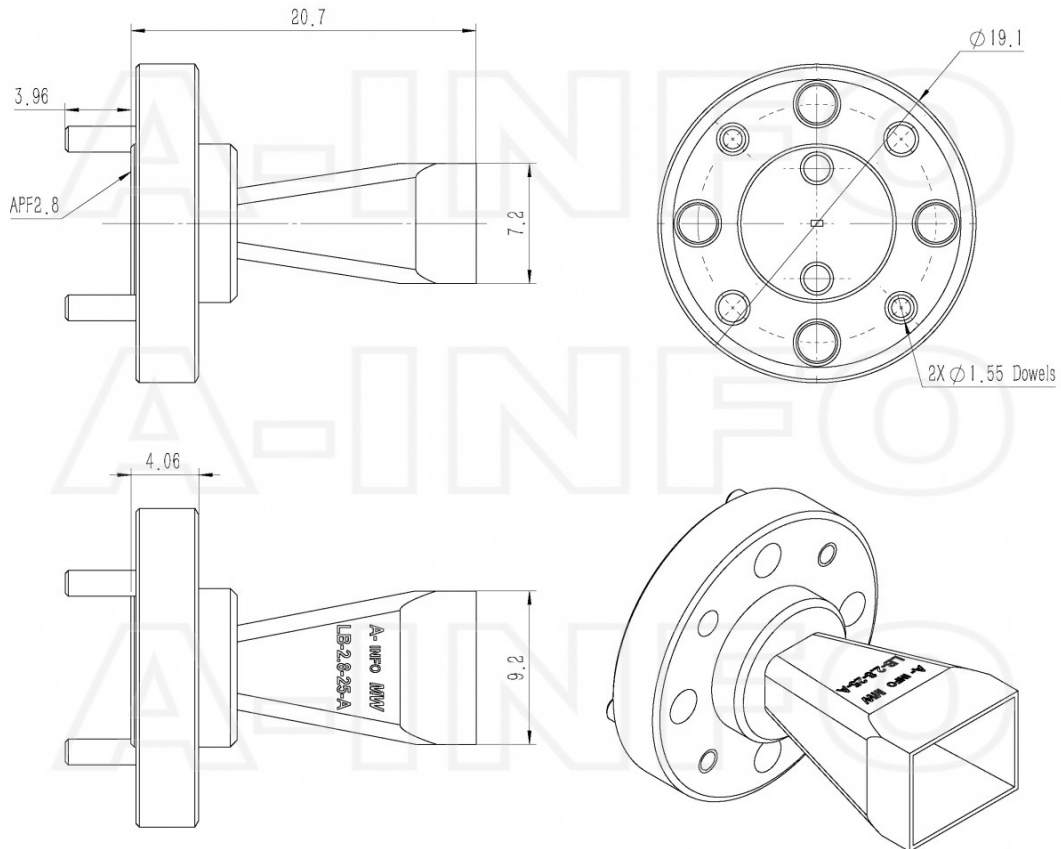
Electrical Specification		Interface	
Frequency, Min (GHz)	260	Output Type	Waveguide
Frequency, Max (GHz)	400	Flange Style	Round
Waveguide Type	Rectangular	Flange Type	Cover
Waveguide Size EIA WR	WR2.8	Flange Designation	APF2.8
Gain, Typ (dBi)	25	Mechanical Specification	
Polarization	Linear	Figure	A Type
3dB Beamwidth, E-Plane, Typ (Deg.)	8	Body Material	Cu
3dB Beamwidth, H-Plane, Typ (Deg.)	9	Finish	Gold Plated
Cross Pol. Isolation, Typ (dB)	35	Size, W (mm)	19.1
VSWR, Typ	1.15:1	Size, H (mm)	19.1
		Size, L (mm)	20.7
		Weight, (kg)	0.02

## Additional Information

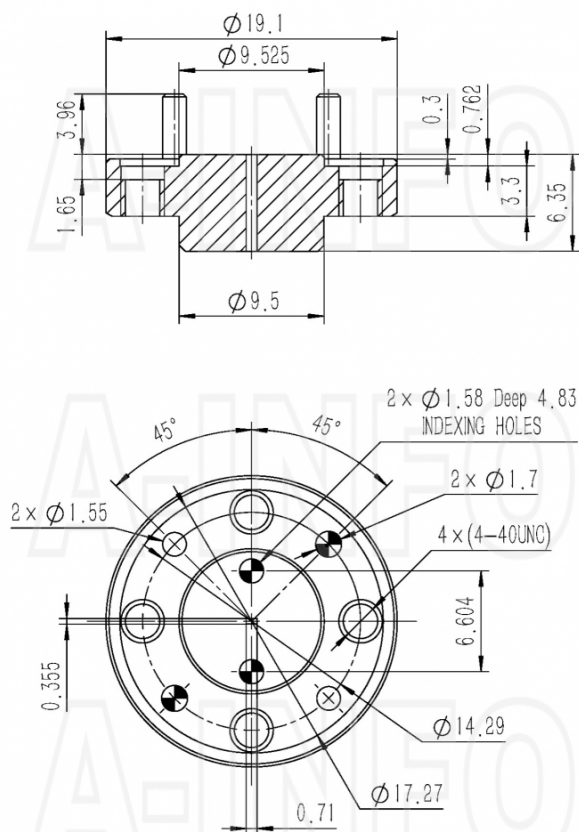
Application	General Purpose Indoor & Outdoor, Fixed	Solution for	Gain Reference Antenna Measurement Reflector Feed Far-field Measurement System Intergration Material Measurement
-------------	---	--------------	---

## Outline Drawing

APF2.8 Output (P/N: LB-2.8-25-A)



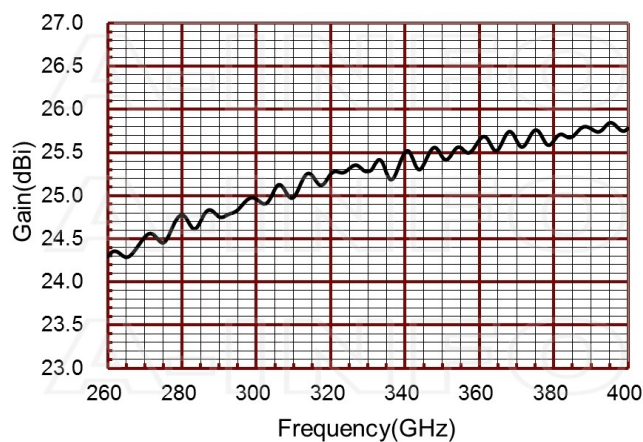
## Flange Drawing



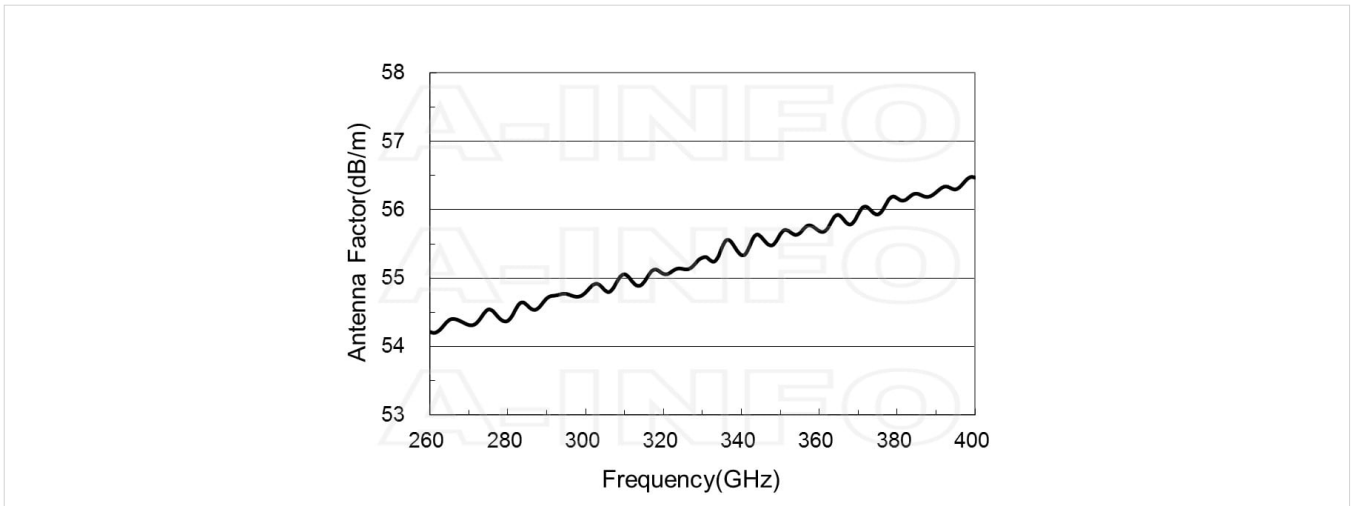
APF2.8

## Typical Test Results

### Gain



## Antenna Factor



## Antenna Factor (Table)

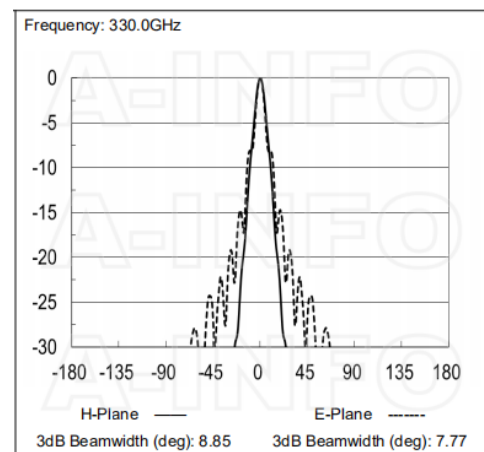
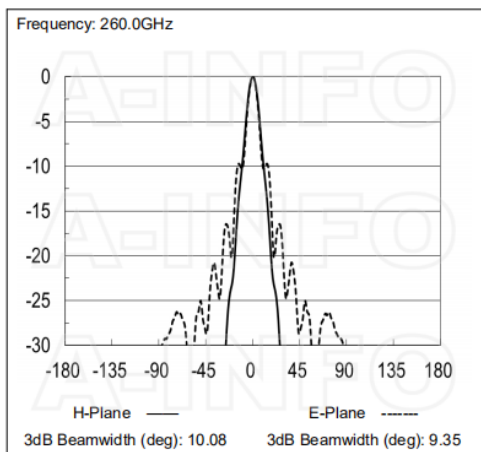
Frequency(GHz)	Gain (dBi)	Antenna Factor (dB/m)	Frequency(GHz)	Gain (dBi)	Antenna Factor (dB/m)
260	24.29	54.22	331	25.30	55.31
261	24.34	54.20	332	25.37	55.26
262	24.36	54.22	333	25.42	55.24
263	24.34	54.27	334	25.38	55.31
264	24.30	54.34	335	25.26	55.45
265	24.29	54.39	336	25.19	55.55
266	24.30	54.41	337	25.21	55.55
267	24.35	54.39	338	25.31	55.48
268	24.41	54.37	339	25.42	55.39
269	24.47	54.34	340	25.50	55.34
270	24.52	54.32	341	25.51	55.35
271	24.56	54.31	342	25.44	55.45
272	24.56	54.34	343	25.33	55.58
273	24.52	54.41	344	25.30	55.64
274	24.47	54.49	345	25.36	55.61
275	24.45	54.54	346	25.45	55.54
276	24.50	54.53	347	25.53	55.49
277	24.59	54.47	348	25.56	55.48
278	24.69	54.41	349	25.52	55.55
279	24.75	54.37	350	25.45	55.64
280	24.78	54.38	351	25.41	55.70
281	24.75	54.44	352	25.45	55.69
282	24.67	54.54	353	25.51	55.65
283	24.62	54.63	354	25.56	55.63
284	24.63	54.64	355	25.56	55.66
285	24.70	54.60	356	25.52	55.72
286	24.79	54.55	357	25.49	55.77
287	24.83	54.54	358	25.52	55.77
288	24.83	54.57	359	25.58	55.73
289	24.79	54.64	360	25.65	55.69
290	24.75	54.70	361	25.68	55.68
291	24.75	54.74	362	25.67	55.72
292	24.77	54.74	363	25.59	55.81
293	24.79	54.76	364	25.53	55.90
294	24.81	54.77	365	25.53	55.92
295	24.84	54.77	366	25.61	55.87
296	24.88	54.75	367	25.70	55.81
297	24.93	54.73	368	25.74	55.78

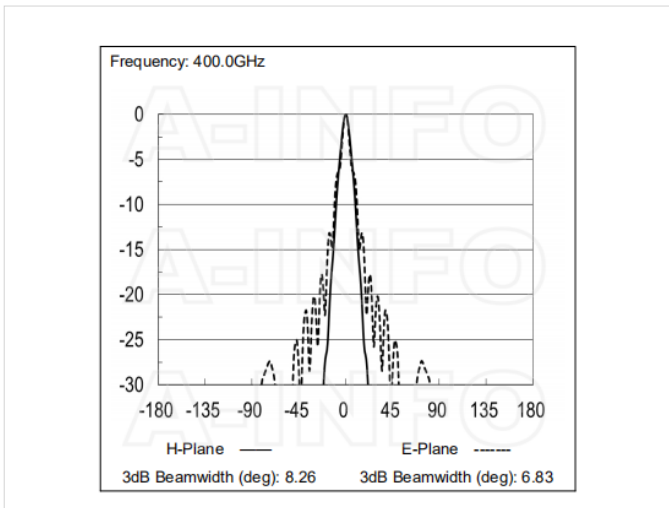


298	24.97	54.73
299	24.98	54.75
300	24.96	54.79
301	24.93	54.85
302	24.90	54.91
303	24.92	54.92
304	24.99	54.88
305	25.08	54.82
306	25.13	54.80
307	25.11	54.85
308	25.04	54.94
309	24.98	55.03
310	24.98	55.06
311	25.05	55.02
312	25.14	54.95
313	25.23	54.90
314	25.26	54.89
315	25.23	54.94
316	25.17	55.03
317	25.12	55.11
318	25.13	55.13
319	25.19	55.10
320	25.25	55.06
321	25.28	55.06
322	25.28	55.09
323	25.27	55.13
324	25.28	55.14
325	25.31	55.13
326	25.35	55.13
327	25.35	55.15
328	25.32	55.20
329	25.29	55.27
330	25.28	55.30

369	25.72	55.83
370	25.64	55.94
371	25.57	56.03
372	25.57	56.05
373	25.64	56.00
374	25.72	55.95
375	25.76	55.93
376	25.74	55.97
377	25.67	56.07
378	25.60	56.16
379	25.59	56.19
380	25.64	56.17
381	25.69	56.14
382	25.71	56.14
383	25.69	56.18
384	25.67	56.22
385	25.68	56.24
386	25.72	56.22
387	25.77	56.19
388	25.80	56.19
389	25.80	56.21
390	25.78	56.26
391	25.75	56.30
392	25.74	56.34
393	25.76	56.34
394	25.81	56.31
395	25.84	56.30
396	25.84	56.33
397	25.80	56.39
398	25.76	56.45
399	25.75	56.48
400	25.78	56.47

### Pattern





## Similar Products



LB-2.2-25-A Standard Gain Horn Antenna 325-500GHz 25dB Gain Rectangular Waveguide Interface



LB-3-15-A Standard Gain Horn Antenna 220-325GHz 15dB Gain Rectangular Waveguide Interface



LB-3-20-A Standard Gain Horn Antenna 220-325GHz 20dB Gain Rectangular Waveguide Interface



LB-3-25-A Standard Gain Horn Antenna 220-325GHz 25dB Gain Rectangular Waveguide Interface

## About this Datasheet

<ul style="list-style-type: none"> <li>● <b>Product Information</b></li> </ul> <p>Product Link:  <a href="https://www.ainfoinc.com/lb-2-8-25-a-standard-gain-horn-antenna-260-400-ghz-25db-gain-apf2-8">https://www.ainfoinc.com/lb-2-8-25-a-standard-gain-horn-antenna-260-400-ghz-25db-gain-apf2-8</a>                      Data subject to change without notice.                      © A-INFO INC. 2023. All Rights Reserved</p>	<ul style="list-style-type: none"> <li>● <b>Contact Us</b></li> </ul> <p>Address:                      60 Tesla, Irvine, CA 92618, USA</p> <p>Website:  <a href="http://www.ainfoinc.com">www.ainfoinc.com</a></p> <p>Email:  <a href="mailto:sales@ainfoinc.com">sales@ainfoinc.com</a></p>	<ul style="list-style-type: none"> <li>● <b>Phone &amp; Fax</b></li> </ul> <p>Phone:                      +1-949-639-9688                      +1-949-639-9608</p> <p>Fax:                      +1-949-639-9670</p>
---	--	---